



TBK-10 Window Intercom System

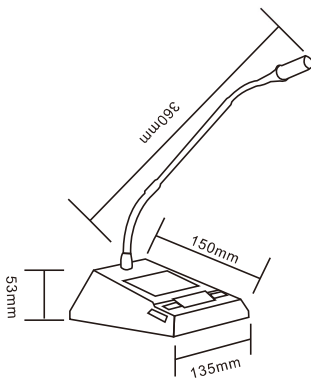


Descriptions:

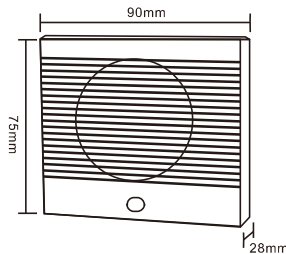
TBK-10 intercom system is primarily used in the counters and Bank/Window, or any places where conversations need to be Assisted.

Features:

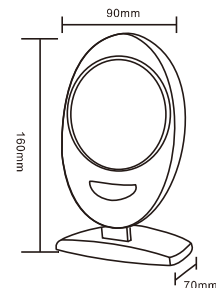
- ▶ Fashion appearance and clear sound effect
- ▶ Volume control and MIC control
- ▶ Supervisor talk-in conversation can not be heard by window sub stations
- ▶ Built-in recording signal output, can provide master station and sub station audio output for recording
- ▶ Simple connection and easy to install



MASTER STATION



SUB STATION
Paste to wall type as standard



SUB STATION
Standing type as optional to choose

SPECIFICATIONS

TBK-10

Power supply	DC 220/110V
Working voltage	DC 14V
Microphone sensitivity	-42 ± 2dB
Host power	5W + 1W
Maximum working current	600mA
Frequency response	80Hz-14KHz